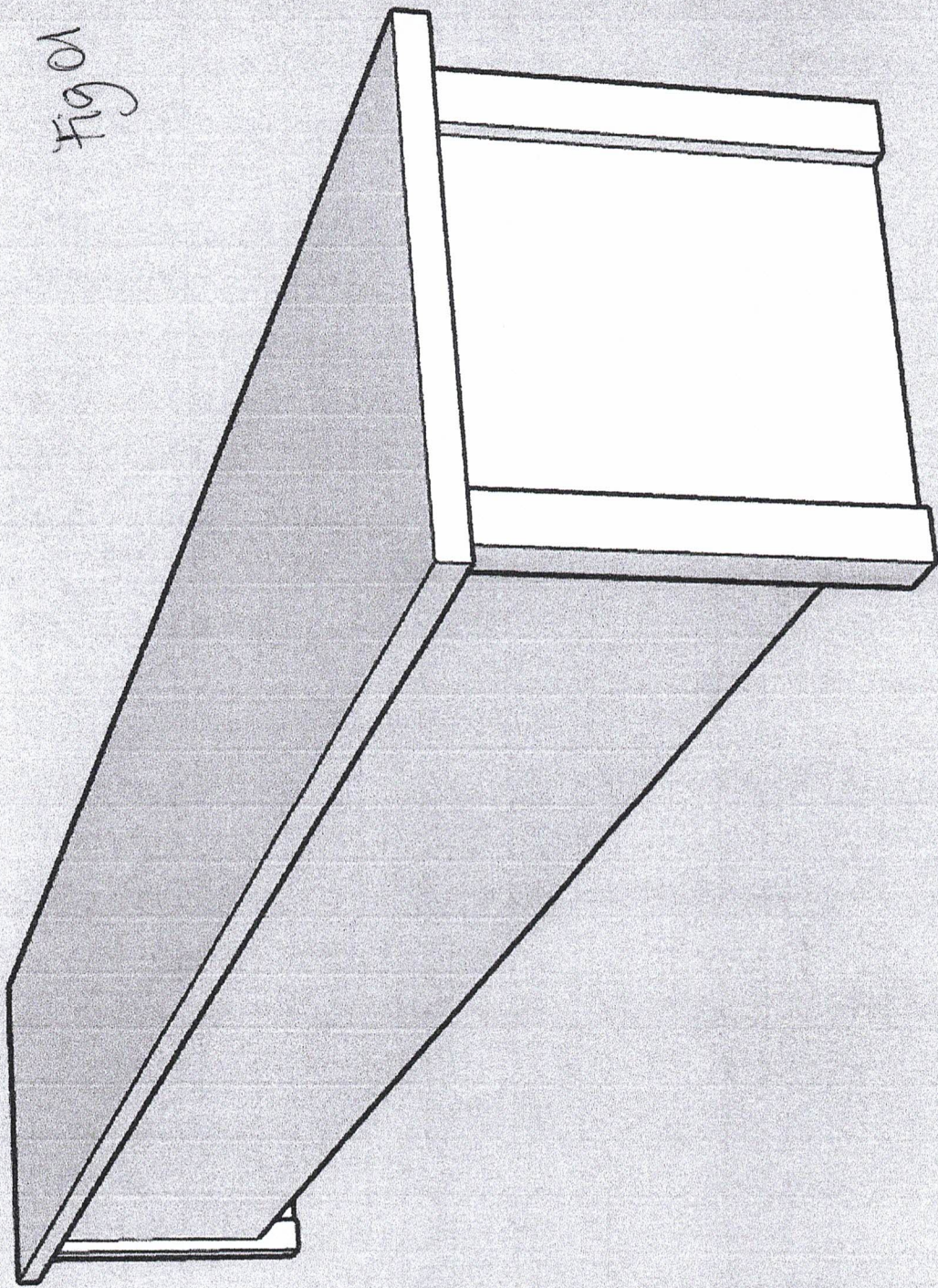


Fig 01



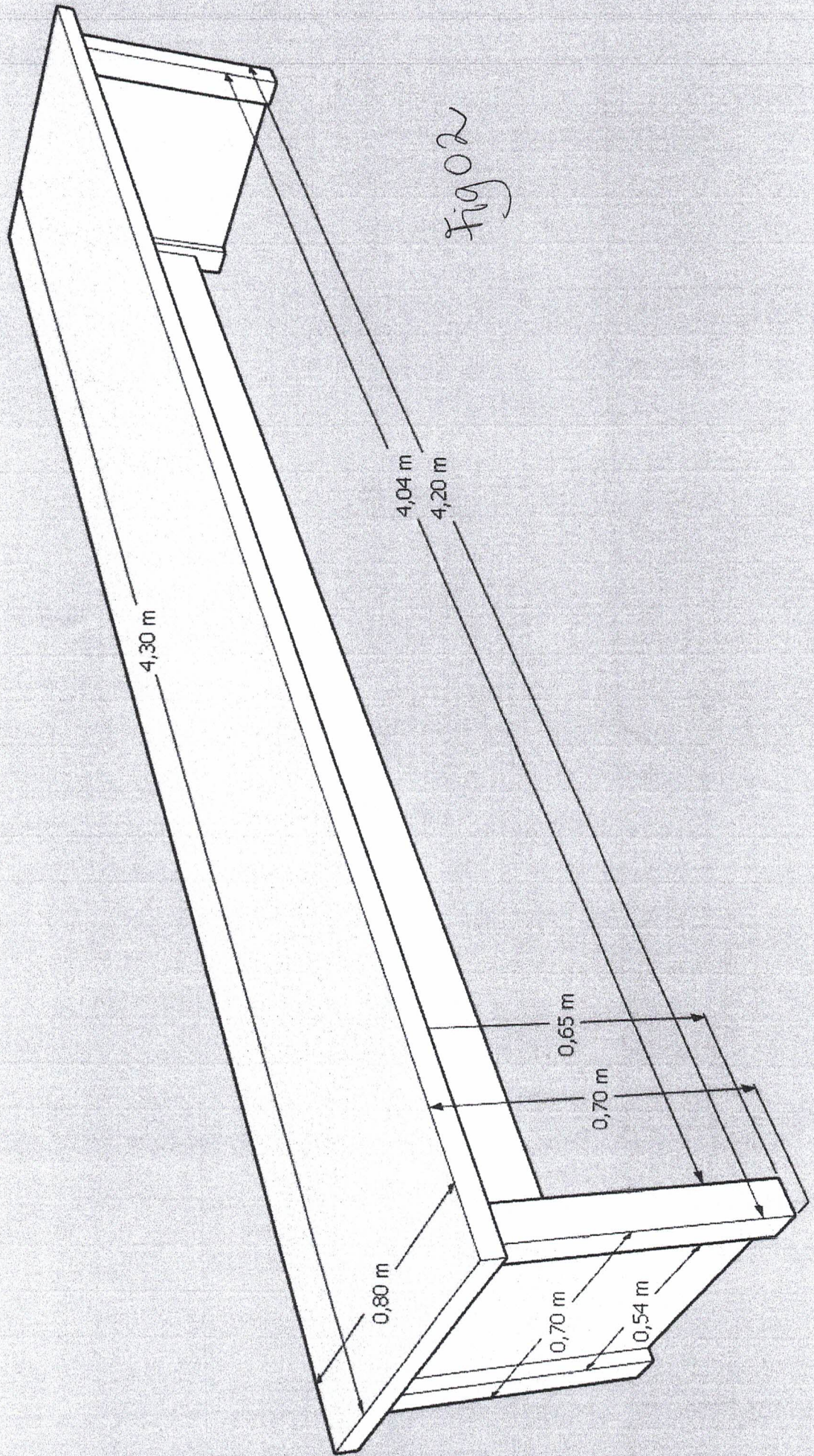


Fig 02

Fig 08

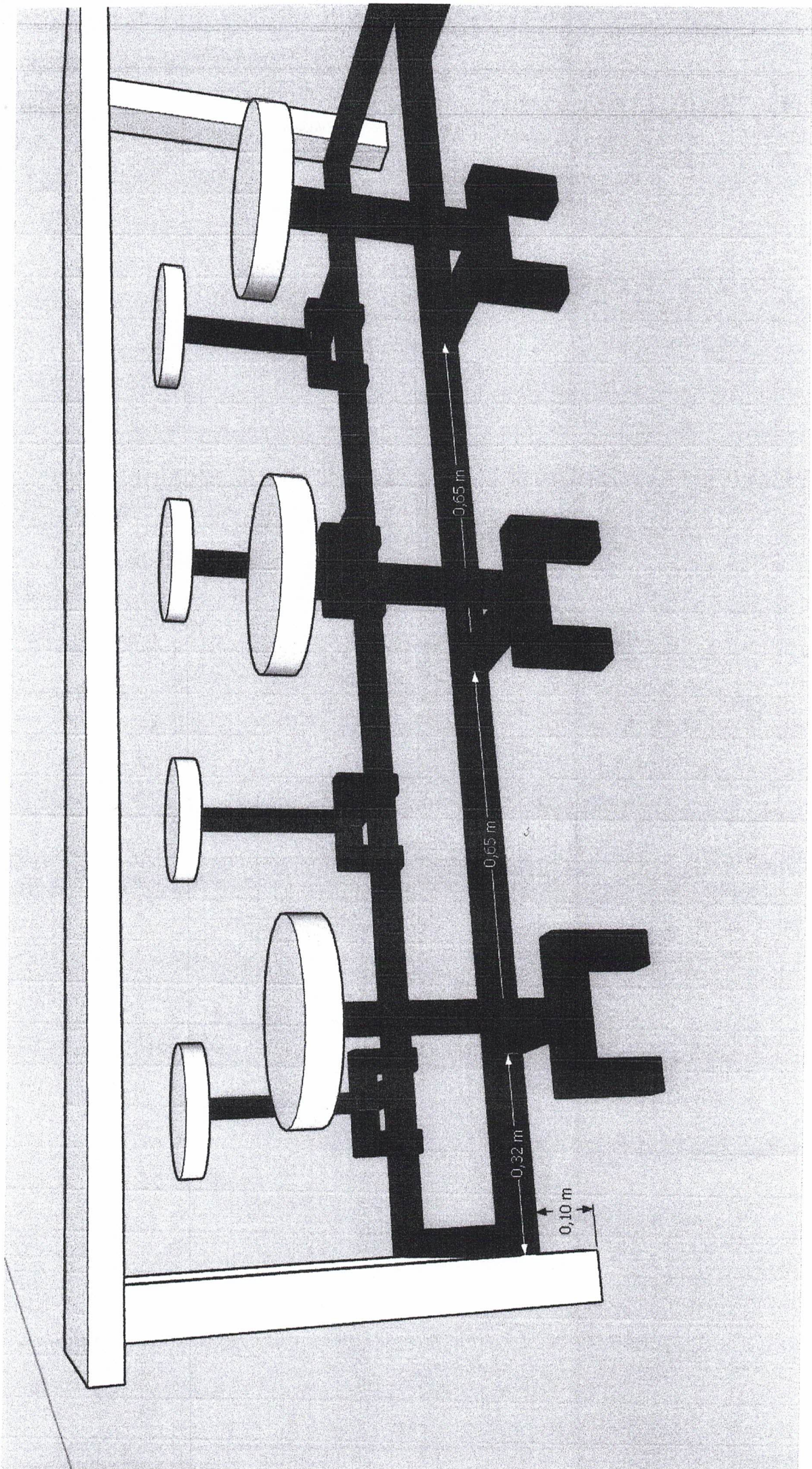
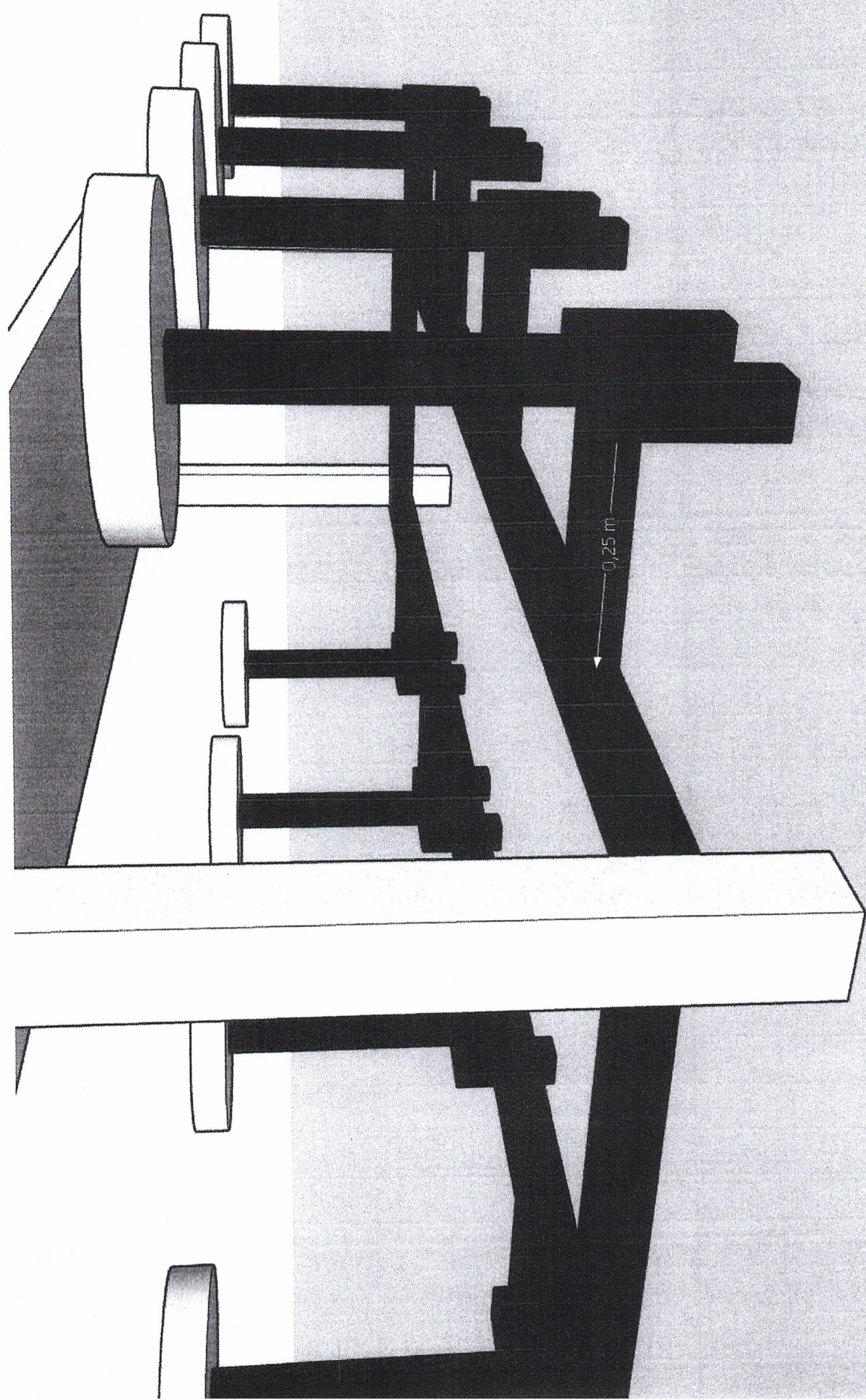


FIG. 04



100

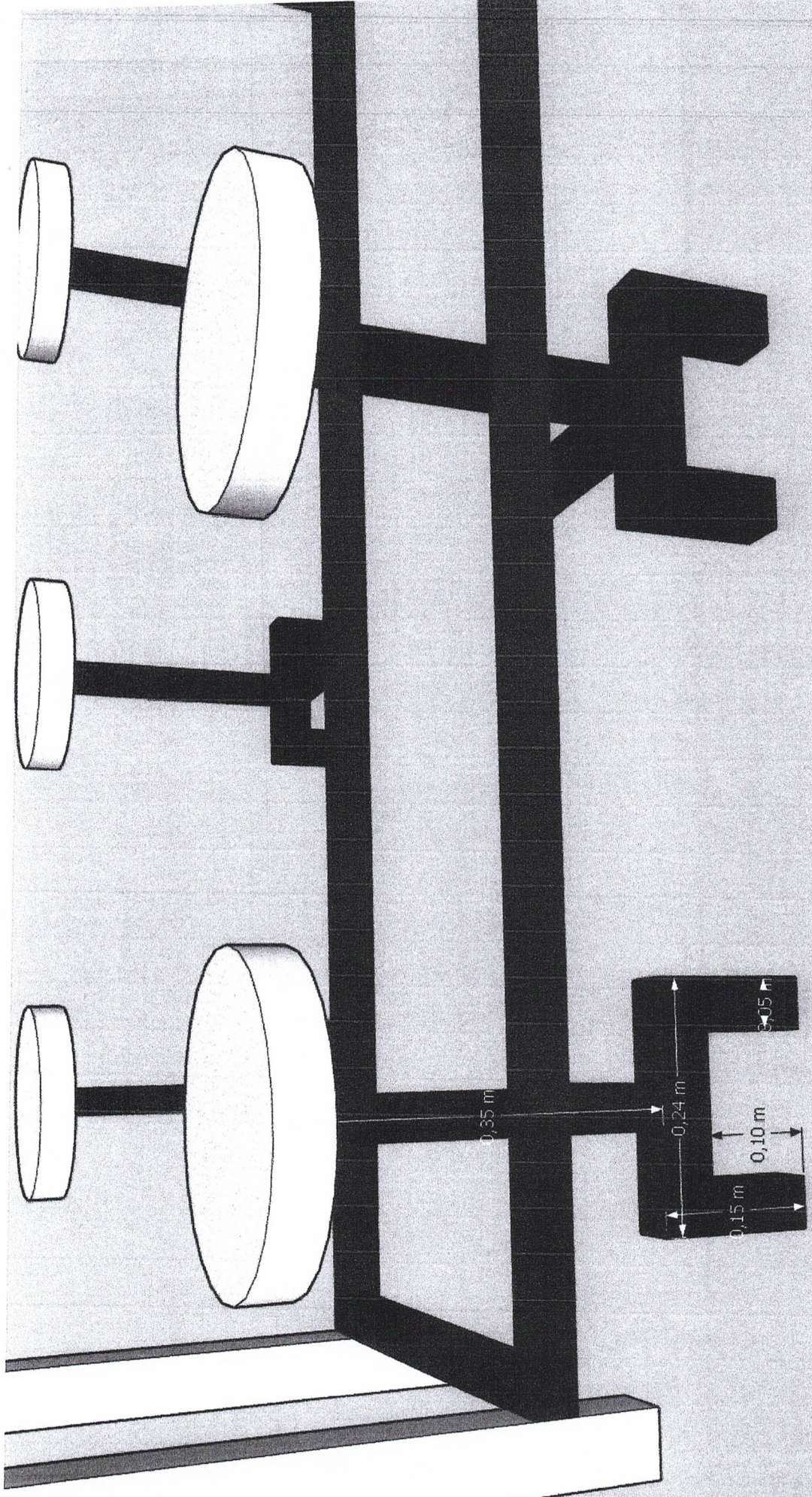
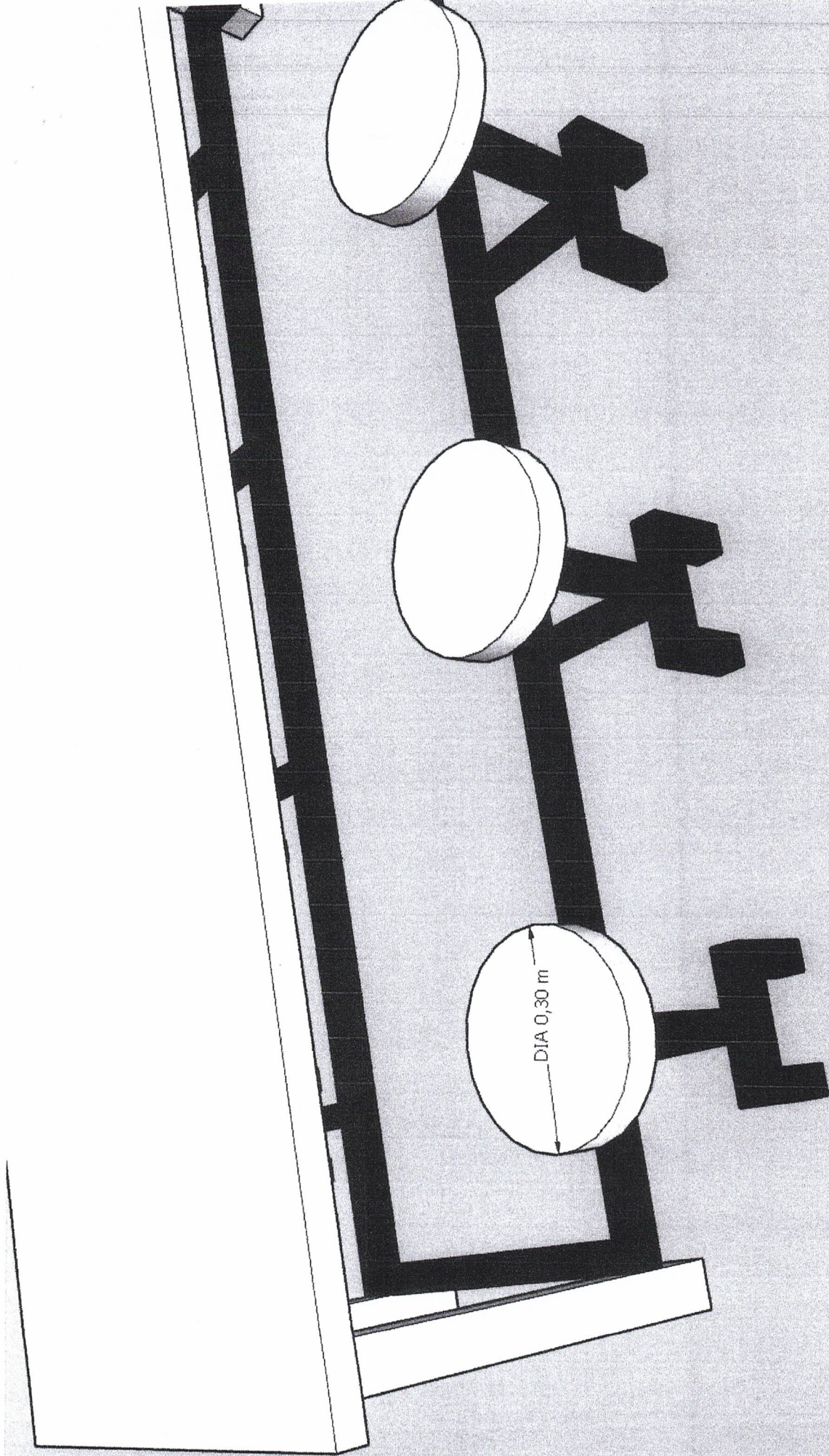


Fig. 06



Handwritten mark

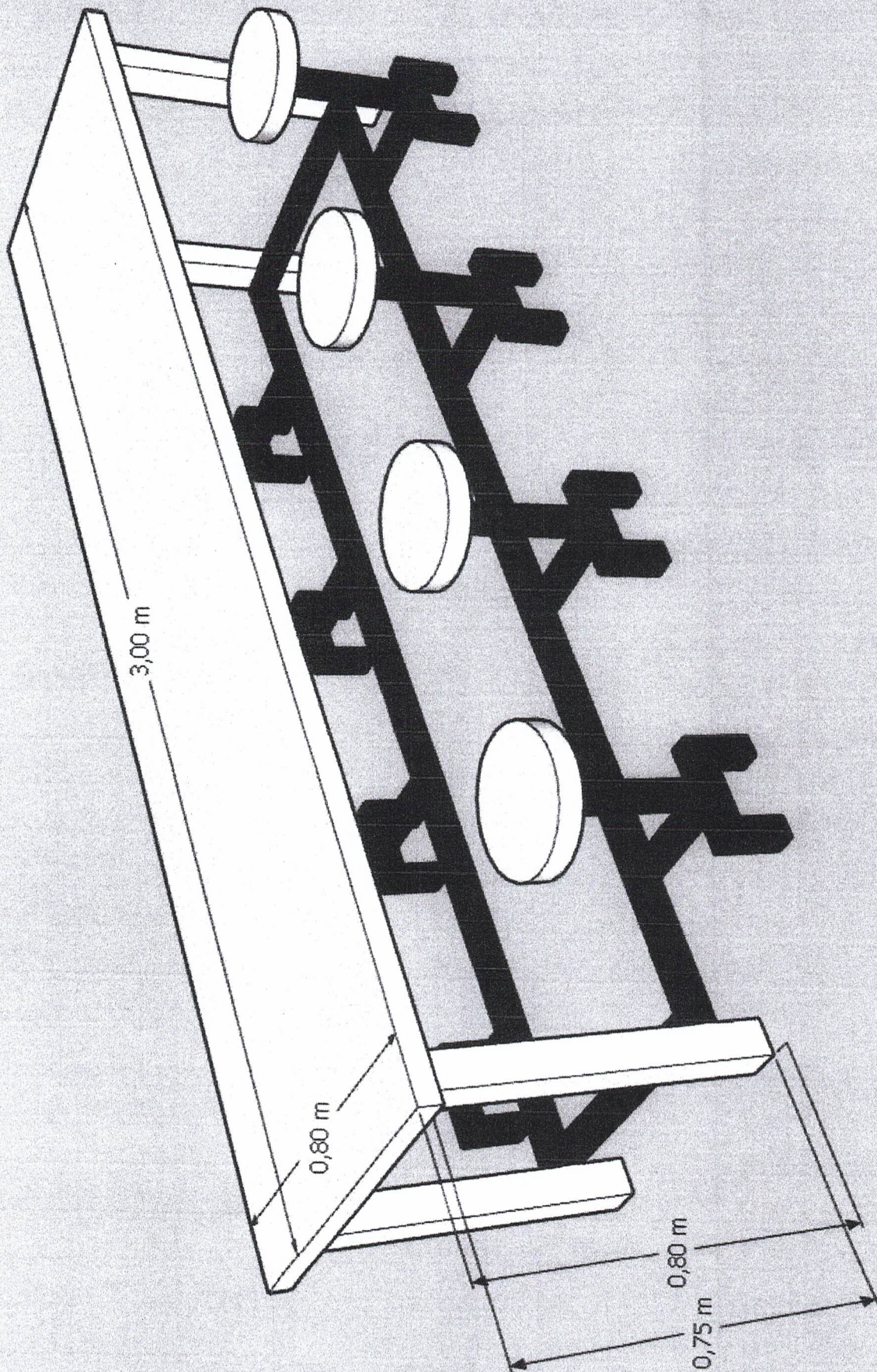
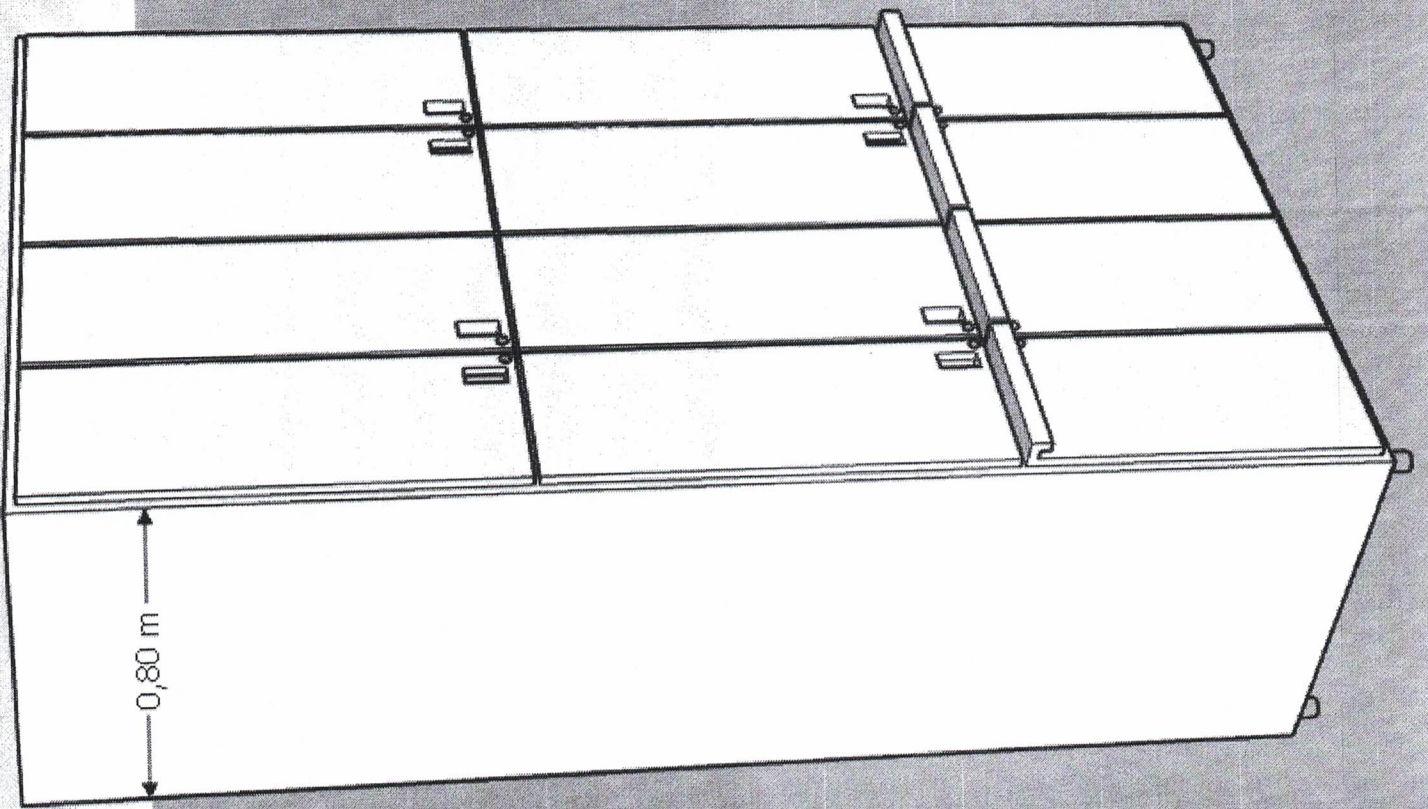


Fig 19/20 m



Fig. 2



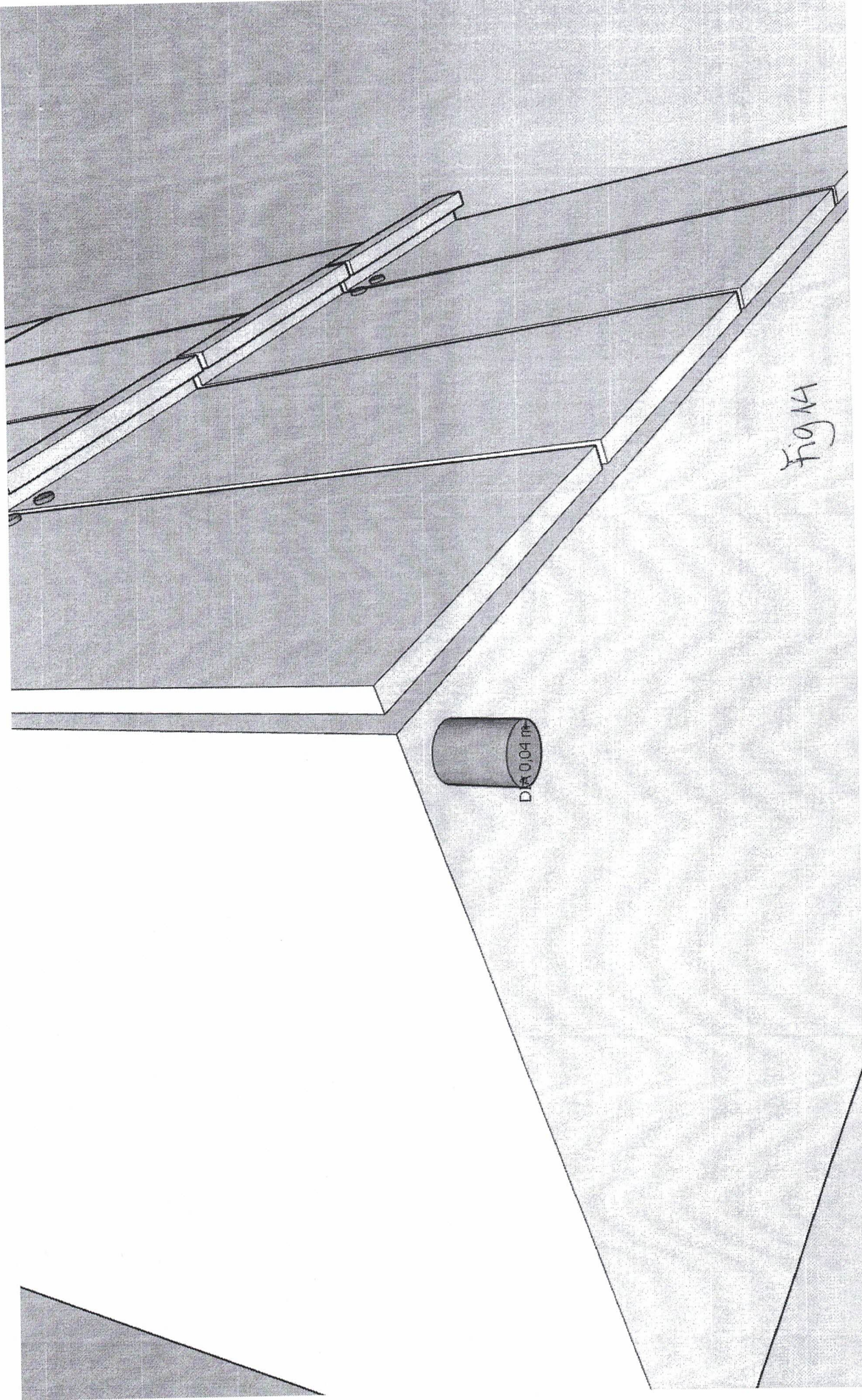
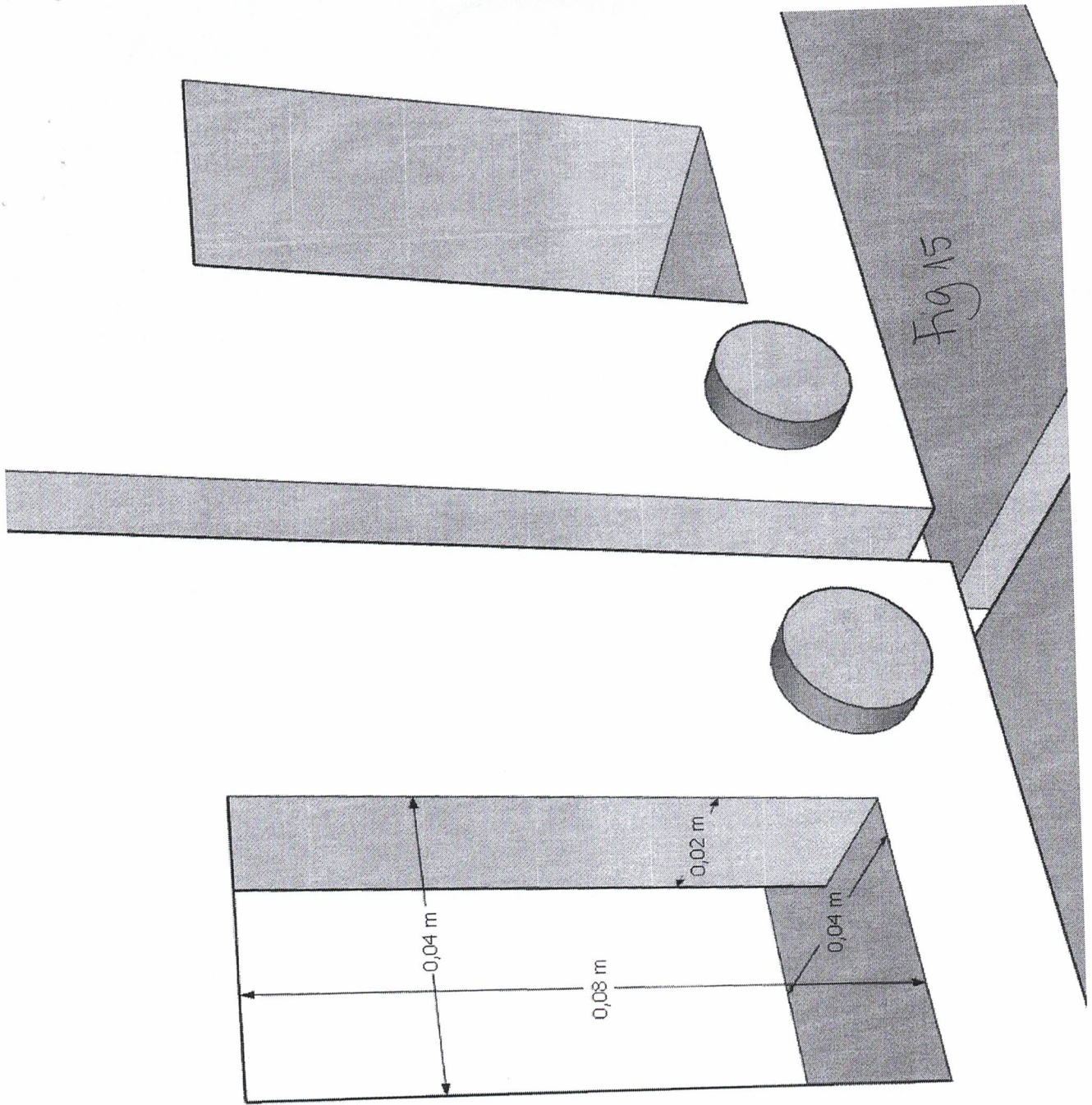


Fig 14

DIA 0.04 mm



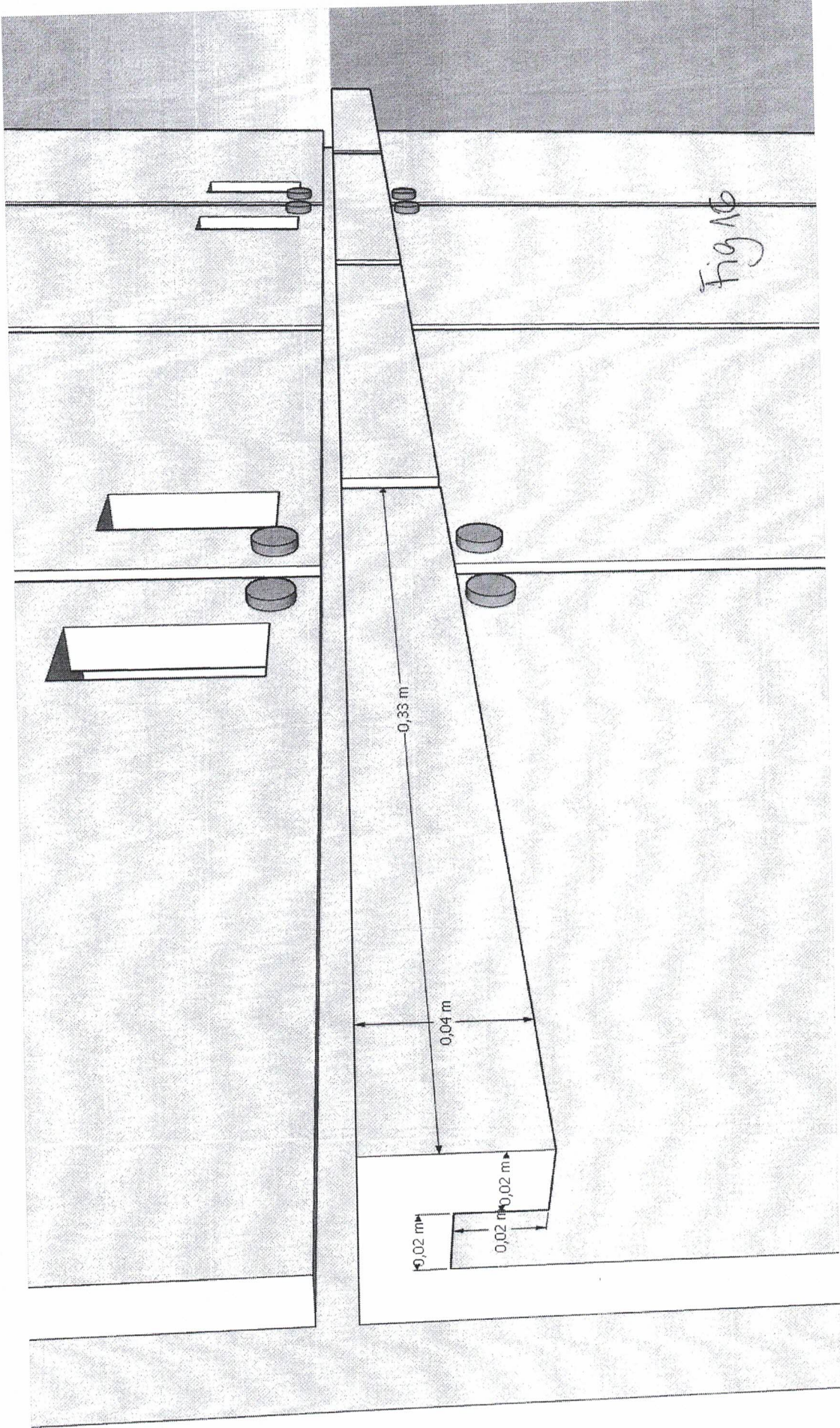


Fig No

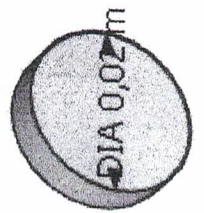
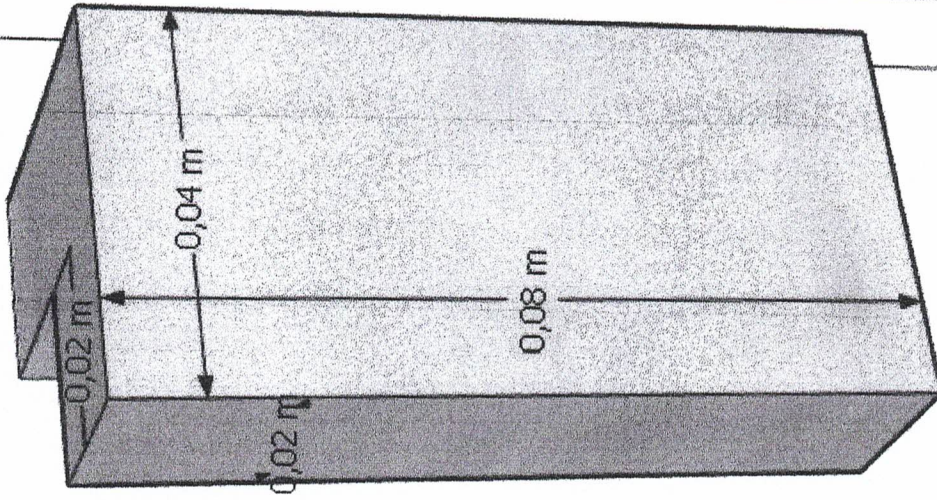
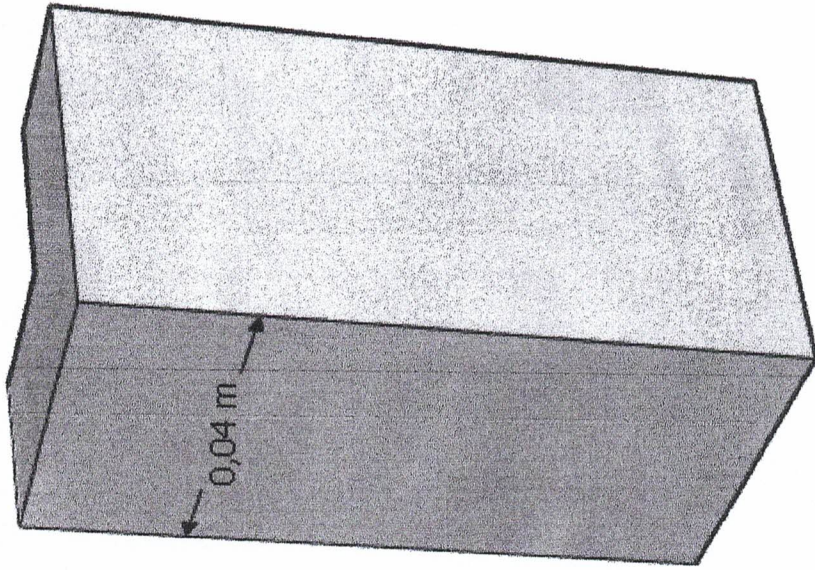
$0,33\text{ m}$

$0,04\text{ m}$

$0,02\text{ m}$

$0,02\text{ m}$

Fig 17



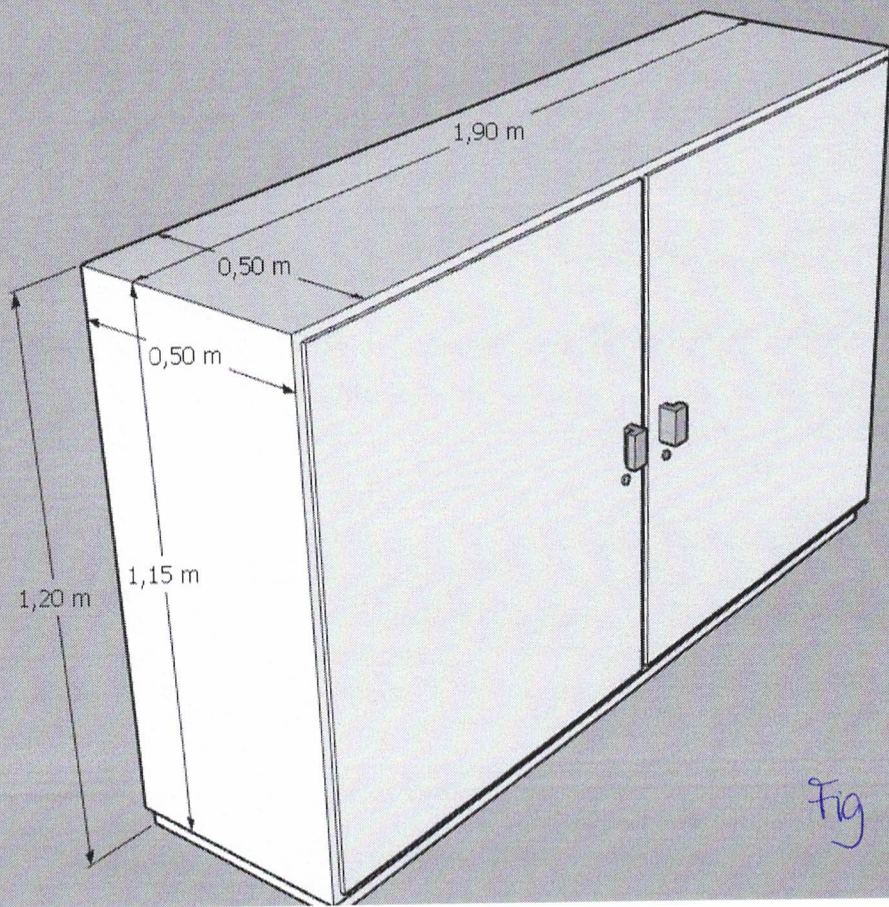


Fig 08

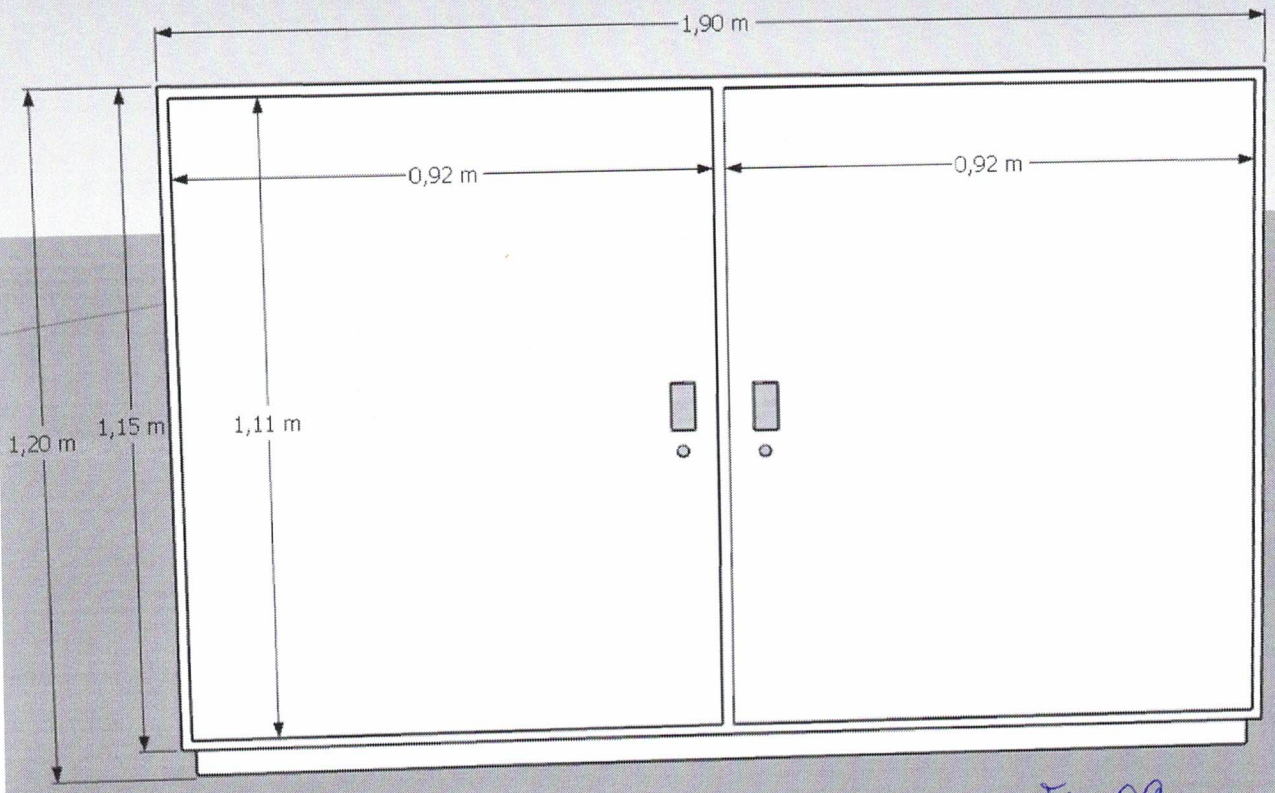


Fig 09

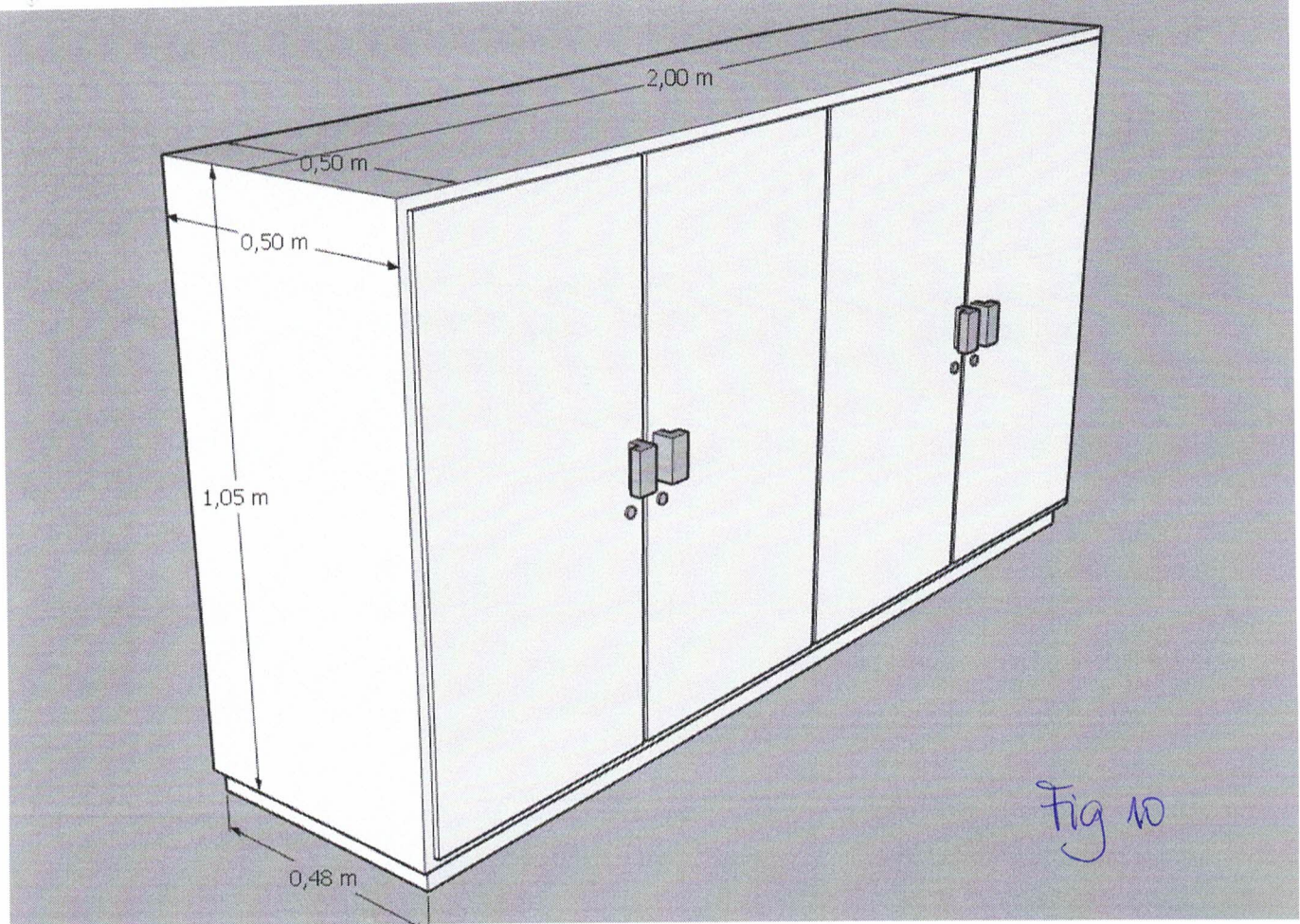


Fig 10

